


# PRODUCT SHEET

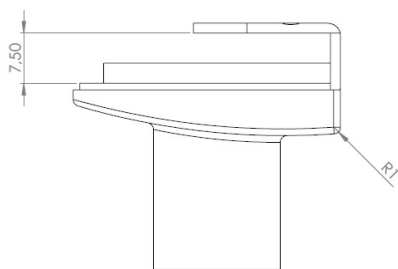
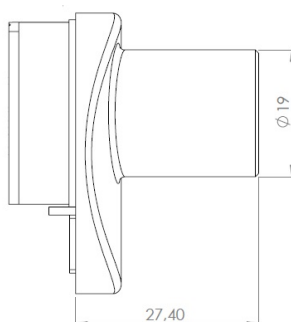
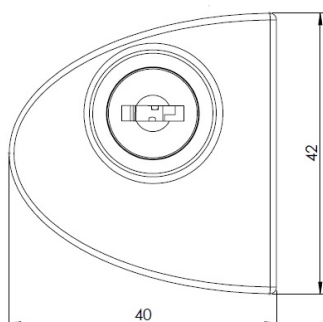
## Description:

Glass Door Lock "Badge", F/Double Doors, CPL, MIC#J11 W/Master Key & Interchangeable System #11, W/ 2 SISO Oval, Metal Keys, 400 KD, W/2 Black ABS Plastic Screws W/PVC Tip,, 1 CPL Flat Oval Metal Striking Pl., F/Glass Thickness 4-5mm

## Item number:

14.09.545-0

Units	Box	Carton	HS Code	Barcode
Pcs.	12	240	8301300000	 5704866049153



## SISO A/S

Mileparken 11  
DK-2740 Skovlunde  
Denmark  
VAT: DK 24786013

Phone +45 45 830 900

[www.siso.dk](http://www.siso.dk)  
[siso@siso.dk](mailto:siso@siso.dk)

Danske Bank  
Nytorv Branch  
Copenhagen  
SWIFT: DABADKKK

Account no.  
4180 3112 112936  
IBAN Account  
DK7230003112112936